

EXPANSION CONTROL JOINTS



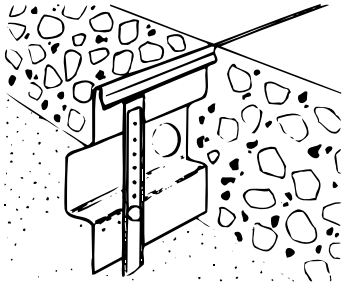
QUICK REFERENCE CHART

EXPANSION JOINTS	DESCRIPTION	USE	SPECIFICATIONS	DENSITY/SIZE
FIBRE	Asphalt impregnated cellulose fiber	General, multi-purpose expansion joint filler for concrete sidewalks, driveways, highways, airport runways, etc.	ASTM D 1751-83 AASHTO M 213-74 FED. SPEC. HH-F-341F TYPE 1 CRD C 508-72 FAA SPEC. P610-2.7	25 LB/CUF. Lengths: 5', 10' and 12' Thickness: ¼" to 1". Pre-cut in uniform widths and lengths. Special shapes available.
CERAMAR®	Synthetic foam of isomeric polymers. Closed-cell, gray color, flexible and highly resilient. Will absorb almost no water.	Excellent joint filler for use in horizontal or vertical applications. Compatible with all popular cold-applied sealants, caulks and hot-pour joint sealing compounds. Compresses easily for use with shrinkage-compensating concrete.	ASTM D 1752, Sections 5.1 through 5.4 with compression requirement modified to 10 psi minimum and 25 psi maximum.	Length: 10' Thickness: ¼" to 1"
GRAY SPONGE RUBBER	Gray colored high quality blown sponge rubber	Used where complete resilience is essential, and gray color is specified.	ASTM D 1752-67 TYPE I AASHTO M 153-70 TYPE I FED. SPEC. HH-F-341F TYPE II, CLASS A CRD C 509-70 TYPE I FAA SPEC. P610-2.7	40 LB/CUF. Length: 10' Thickness: ¼", ⅜", ½", ¾", 1"
CORK	Granulated cork bonded together under heat and pressure with phenolic resin	Extensively used in sewage plants, floodwalls, filtration plants, and in bridge constructions.	ASTM D 1752-67, TYPE II FED. SPEC. HH-F-341F TYPE II, CLASS B AASHTO M 153-70 TYPE II FAA SPEC. P610-2.7 CRD C 509, TYPE II	16 LB/CUF. Length: 10' Thickness: ¼", ⅜", ½", ¾", 1"
SELF-EXPANDING CORK	Similar in composition to standard cork, but is specially treated to enable it to expand 50% beyond original thickness	Used where it is essential to keep joints filled at all times. Water & sewage plants, dams, and tunnels.	ASTM D 1752 TYPE III AASHTO M 153 TYPE III FED. SPEC. HH-F-341F TYPE II, CLASS C CRD C-509 TYPE III FAA SPEC. P610-2.7	24 LB/CUF. Length: 10' Thickness: ¼", ⅜", ½", ¾", 1"
STRIP-JOINT	Cellular cross linked polyethylene foam with strip-off cap	Used for swimming pools, water & sewage treatment plants, and power plants.	ASTM D 624 DIE C ASTM D 1056 ASTM D 1564 ASTM D 1667 ASTM D 2240	2.0 LB/CUF. Length: 100', 75', 50', 8' Thickness: ¼", ⅜", ½", ¾", 1"
FF-5	Closed cell neoprene sponge rubber	Used where complete resilience is essential, and the color is not specified.	ASTM D 1752-67 TYPE I AASHTO M 153-54 TYPE I FED. SPEC. HH-F-341F TYPE II, CLASS A	35 LB/CUF. Slab 54" x 36" Thickness: ¼" to 2"
CROSS LINKED POLYETHYLENE	Cellular cross linked polyethylene foam	Used for seismic separation joints in nuclear plants, and other critical construction applications.		2.2 LB/CUF. Slab 48" x 48" Thickness: ½" to 3"
SONOFLEX F	Expanded closed cell polyethylene foam	Filler strip for expansion joints in concrete highways, airport runways, streets, driveways, sidewalks, curbs, and gutters. Substitute for cane-fiber.	ASTM D 3575	Length: 10' to 240' roll Thickness: ¼" to 1"
CLOSED CELL NEOPRENE	Neoprene sponge is a pre-formed compressible expansion joint filler and gasket	Used where oil, chemical, and high temperature resistance is required.	ASTM D 1056-68, 78 SCE 41-45, RE 41-45	7-20 LB/CUF. Slab: 42" x 72" Thickness: ⅛" to 2"

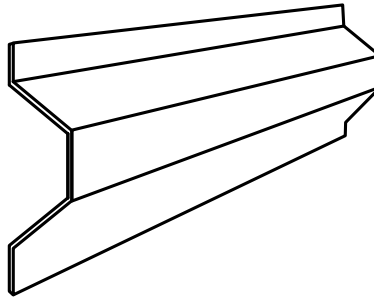


SCREED KEYS, CAPS & ACCESSORIES

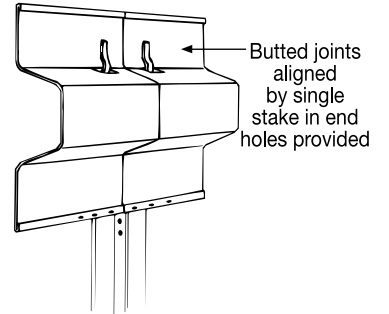
SCREED KEY



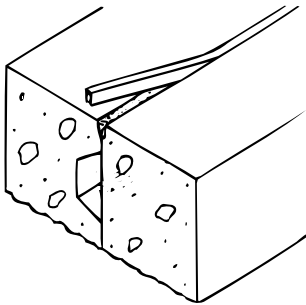
VINYL KEYWAY



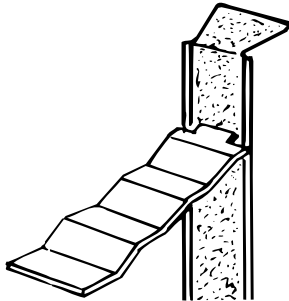
BUTT SPLICE



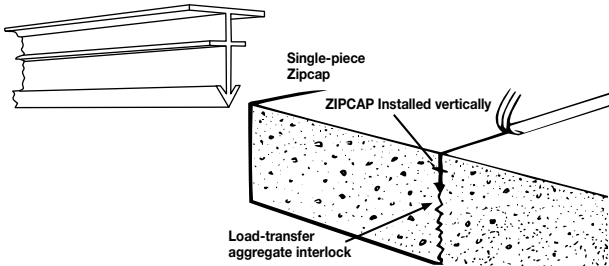
SCREED CAP



DOVETAIL ANCHOR SLOT & ANCHORS



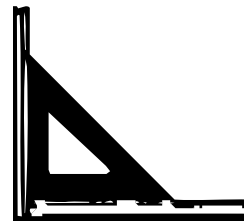
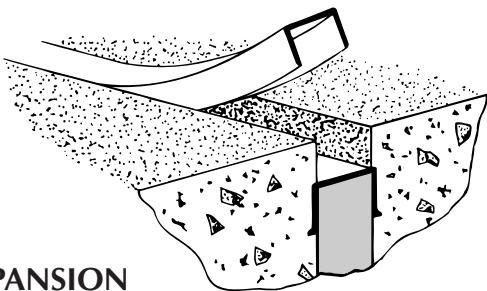
ZIPCAP-CONTROL JOINT



TRAPEZOID REVEAL STRIP

A semi-rigid reusable plastic strip which is nailable and yet rigid enough to form straight, neat rustication joint. Conceals plywood joints, or use to striate concrete surfaces. Standard lengths of 10'.

EXPANSION JOINT CAP



CHAMFER STRIP

A semi-rigid plastic strip which is nailable and reusable. It is used to chamfer the edges of concrete columns and beams, or provide "V" grooves on flat concrete surfaces. Standard lengths 10'.