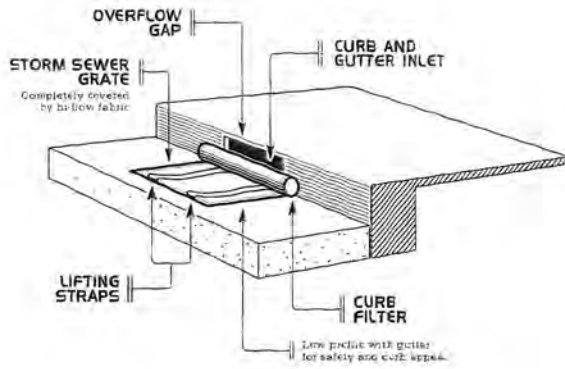
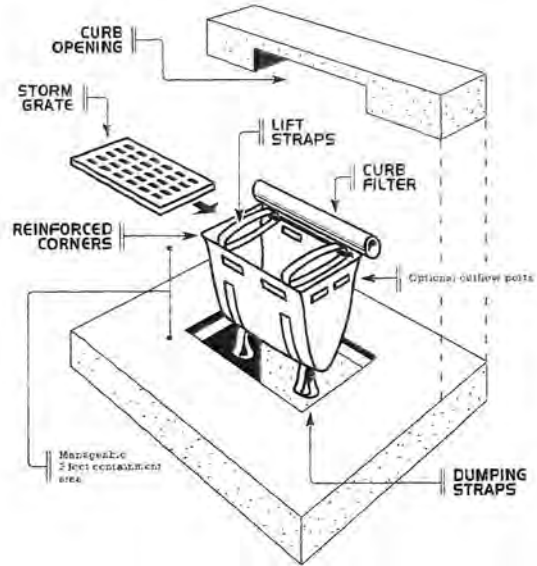


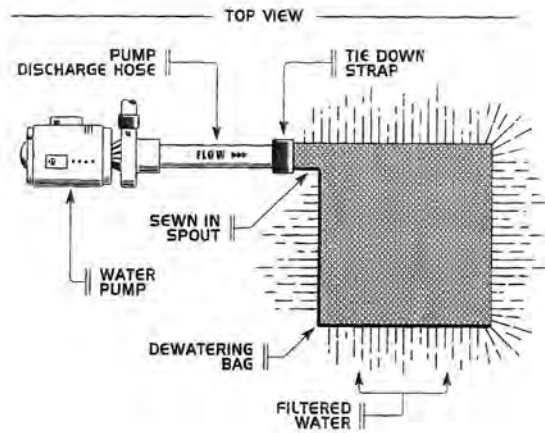
Dandy Curb Bag



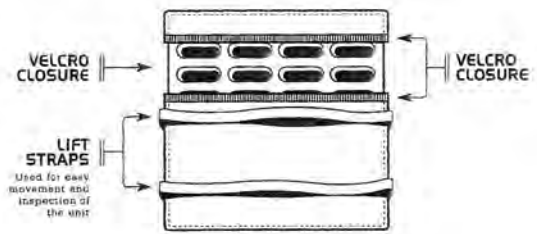
Dandy Curb Sack



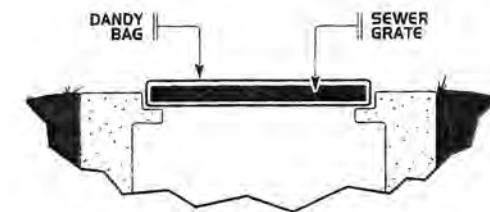
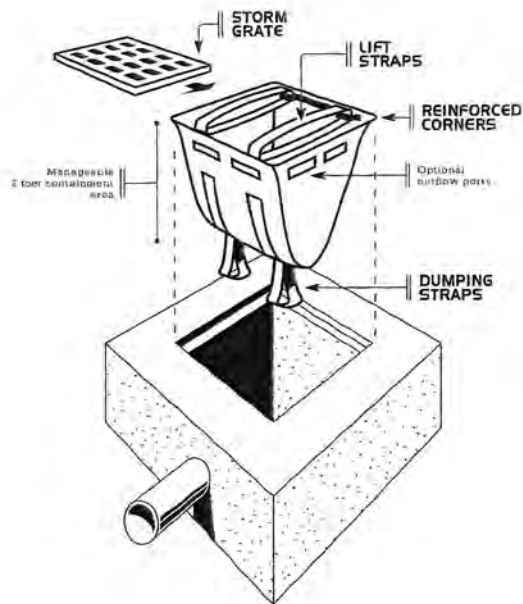
Dandy Dewatering Bag



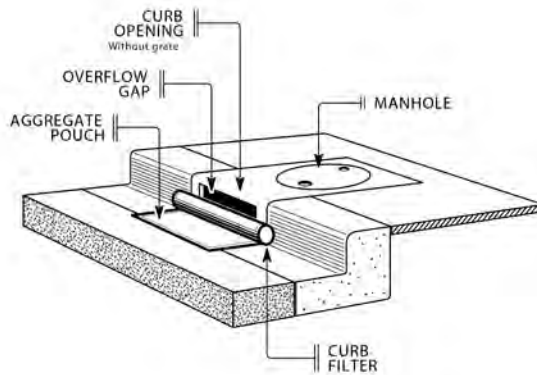
Dandy Bag



Dandy Sack



Dandy Curb





CONCRETE WASHOUT BAGS



One Ton Washout Bag

SIZE: 40" w x 40" l x 24" t

CAPACITY: 18 Cubic Feet or 130 Gallons



Large Ready Mix Bag 42" x 42" x 43"

Ready Mix Chute Bag 20" x 20" x 19"



Lined Concrete Pump Bag 46" x 72" x 16"

DEBRIS AND MATERIAL BAGS



One Ton Bags

SIZE: 40" w x 40" l x 48" h

CAPACITY: 1.65 Cubic Yard, 3,300 lbs.



Reinforced poly bags 18" x 30"



Burlap bags 17" x 27"